



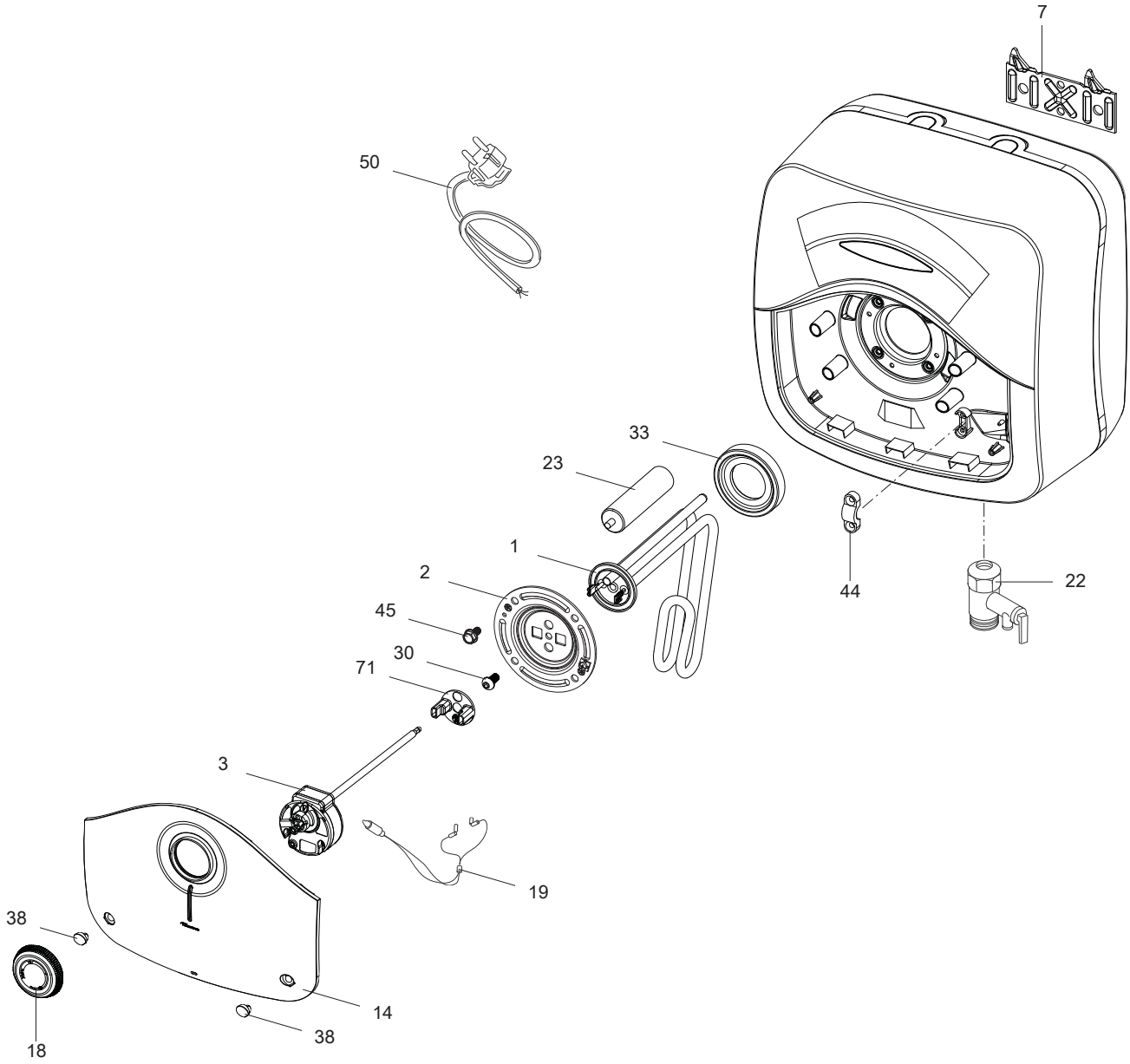
SPARE PARTS EXPLODED VIEW
STORAGE ELECTRIC WATER HEATERS
Model
ANDRIS R

R8218025-02 - 24/04/2018

ANDRIS R

Storage Electric Water Heaters

1	3100797	ANDRIS R 10	03-2018	-
2	3100798	ANDRIS R 10U	03-2018	-
3	3100799	ANDRIS R 15	03-2018	-
4	3100800	ANDRIS R 15U	03-2018	-
5	3100801	ANDRIS R 30	03-2018	-
Col	Reference	Model type	Begin	End



☉⇒	Description	Manf. Pt. N	Type																			From	to
				1	2	3	4	5	6	7	8	9	10	11	12	13	14	15	16	17	18		
0001	НАГРЕВАТЕЛЬНЫЙ ЭЛЕМЕНТ 1200W 220-240V	65114900				●	●																
	НАГРЕВАТЕЛЬНЫЙ ЭЛЕМЕНТ 1200W 220-240V	65114905		●	●																		
	НАГРЕВАТЕЛЬНЫЙ ЭЛЕМЕНТ 1500W 220-240V	65114894																●					
0002	ФЛАНЕЦ НА 4 БОЛТАХ	65115359		●	●	●	●	●															
0003	ТЕРМОСТАТ	65114891																●					
	ТЕРМОСТАТ	65114908		●																			
	ТЕРМОСТАТ	65115012			●																		
	ТЕРМОСТАТ	65115013					●																
	ТЕРМОСТАТ	65115014											●										
0007	КРОНШТЕЙН	570341		●	●	●	●	●															
0014	КРЫШКА ПЛАСТИКОВАЯ	65115092		●	●	●	●																
	КРЫШКА ПЛАСТИКОВАЯ	65115093																	●				
0018	РУЧКА РЕГУЛИРОВКИ	65115022		●	●	●	●	●															
0019	ИНДИКАТОРНАЯ ЛАМПА	993025		●	●	●	●	●															
0022	ПРЕДОХРАНИТЕЛЬНЫЙ КЛАПАН (1/2" 8,5 БАР)	571730		●	●	●	●	●															
0023	МАГНИЕВЫЙ АНОД D:21,3 L:110 M5-M8	65103768-01		●	●	●	●	●															
0030	ВИНТ М6Х12	993000		●	●	●	●	●															
0033	ПРОКЛАДКА ФЛАНЦА	65114660		●	●	●	●	●															
0038	ЗАГЛУШКА	65115090		●	●	●	●	●															
0044	ЗАЖИМ ДЛЯ КАБЕЛЯ	573266		●	●	●	●	●															
0045	ВИНТ ФЛАНЦА М6Х12	65114656		●	●	●	●	●															
0050	КАБЕЛЬ ПИТАНИЯ	570096		●	●	●	●	●															
0071	ИЗОЛЯТОР КЛЕММ ТЭНА (GREEN)	65114895																	●				
	ИЗОЛЯТОР КЛЕММ ТЭНА (YELLOW)	65114901		●	●	●	●																

LIST OF THE ABBREVIATIONS

HW : Hot water.
 CW : Cold water.
 C : Ceramic resistance (normal heating).
 Ca : Ceramic resistance (accelerated heating)
 TP : Immersion heater.
 1F : With fittings.
 2F : Without fittings.
 3F : With fittings and another outlet connection.
 AMI : With mixing valve.
 SMI : Without mixing valve.
 PUISS : Power of th appliance.
 PN : Appliance with normal pression.
 LP : Appliance with low pression.
 PV : Appliance with variable power.
 PF : Appliance with fixed power.

IDENTIFICATION PLATE

SERIAL NUMBER

6 Characters :
 Year of manufacture _____ 03 09 08 _____ Manufacturing day
 _____ Month of manufacture

9 Characters :
 Year of manufacture _____ M 12 10 0606 _____ Sequential number
 _____ Month of manufacture

14 Characters :
 SI-V-0B0 45 07 0001
 _____ Sequential number
 _____ Year of manufacture : _____ 6 → 2004
 _____ Month of manufacture : → 25 → January 43 → July 7 → 2005
 _____ Product model 13 → February 29 → August 8 → 2006
 32 → March 40 → September etc ...
 35 → April 38 → October
 39 → May 51 → November
 45 → June 12 → December

15 Characters :
 Year of manufacture _____ 02 11 00001 007843 _____ Code appareil
 _____ Month of manufacture _____ Sequential number

21 Characters :
 Product reference _____ 3200050 XX 08115 0000001 _____ Sequential number
 _____ Year (08) / Manufacturing day (115)

22 Characters :
 Product reference _____ 3200050 XX 070115 0000001 _____ Sequential number
 _____ Year (07) / Month (01) / Manufacturing day (15)

The indications mentioned on the prices, commercial or technical literature and the scheme are written for your guidance and are available at a given time. The CONSTRUCTOR retains the power to modify the presentation, the form, the size, the conception or the material of the products.